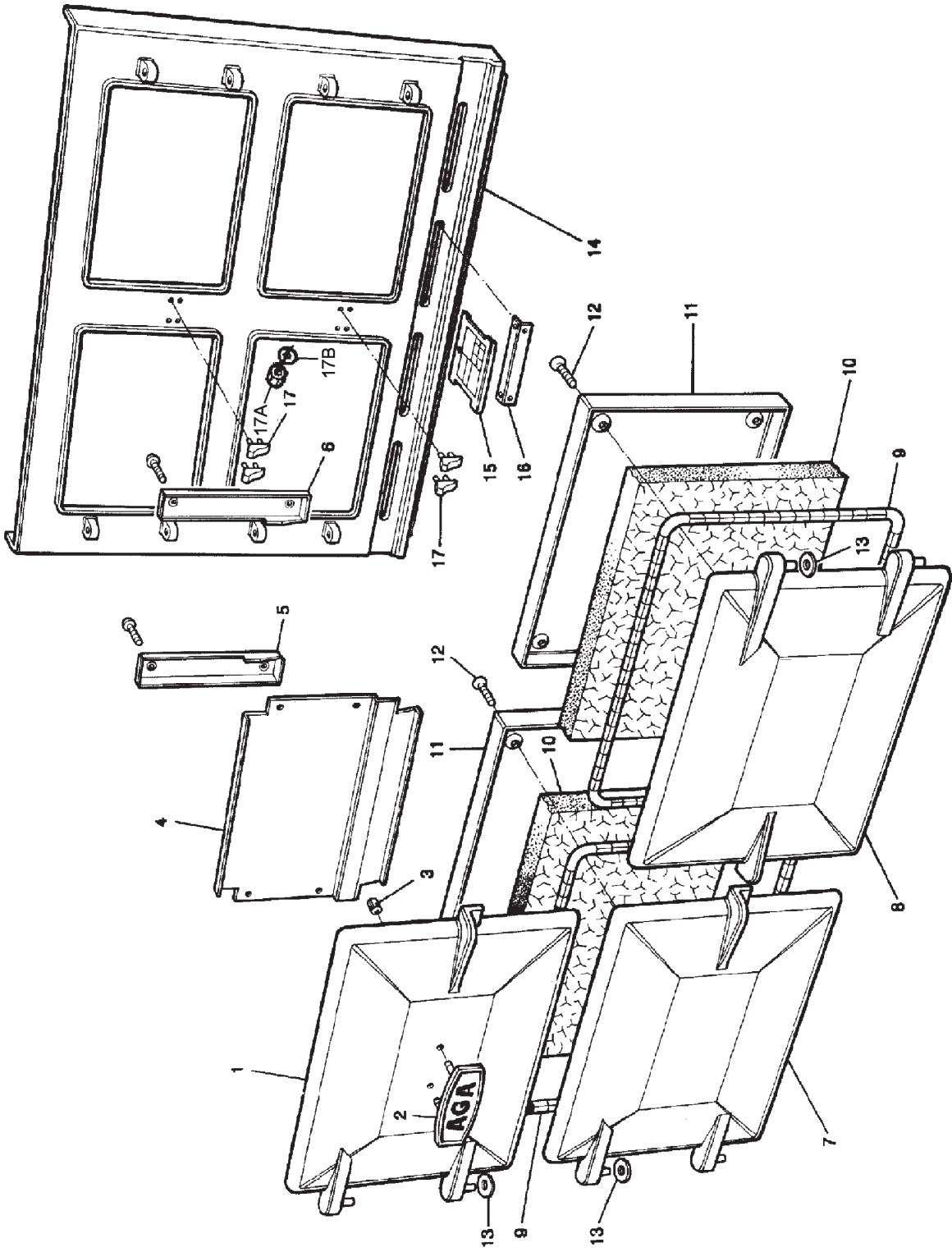


AGA SIX-FOUR CERAMIC HOTPLATE

SPARE PARTS MANUAL



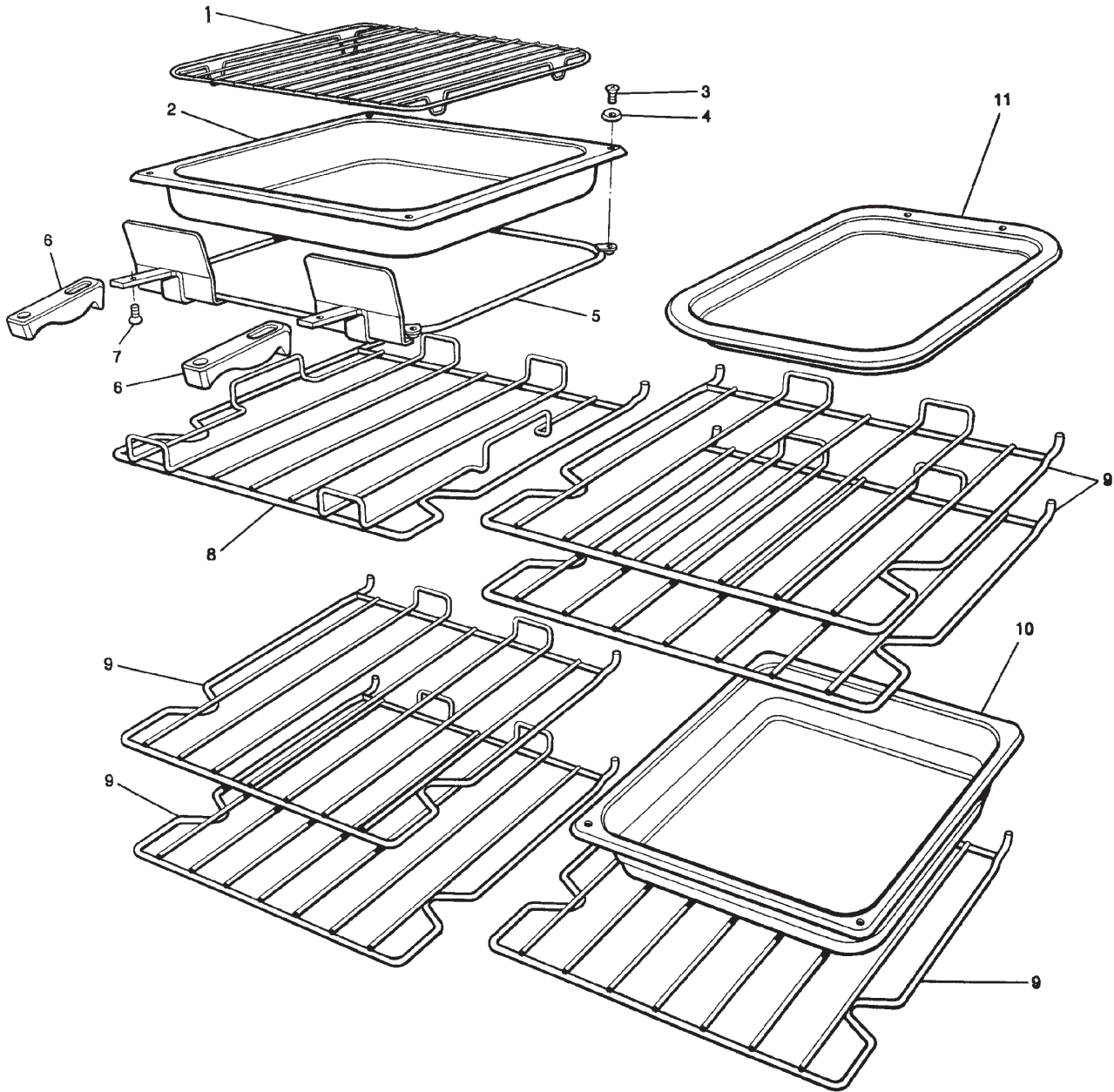
AGA SIX-FOUR SERIES - DC6 (CERAMIC HOB)
FRONT PLATE AND DOORS

AGA SIX-FOUR SERIES - DC6 (CERAMIC HOB)

FRONT PLATE AND DOORS

JANUARY 2011

ITEM No.	CAT No.	DESCRIPTION	PRODUCT CODE
1	A4069	GRILL DOOR COMP (UPPER LH)	AG9M998742
2	A2274	AGA BADGE	AG4M210184
3	A1567	BADGE CLIP (PAIR)	AO9M38850PR
4	A4365	GRILL DOOR LINER	AG4M250574
5	A3952	GRILL DOOR LINER - LH	AG4M250573
6	A3953	GRILL DOOR LINER - RH	AG4M250583
7	A4068	FAN OVEN DOOR ASSY COMP	AE9M240204
8	A4070	RH DOOR ASSY COMP	AG9M998743
9	A3954	DOOR SEAL T/SEAL ROPE 4 x 1185 LG	AE1M230400
10	R6413	ROCKWOOL	MRWF35400
11	A3022	DOOR LINING PANEL - UP TO M06-179	AG4M250923
11A	A5190	LINER - FROM M06-179	AG4M240436
12	A5255	SCREW M6 x 20 LG	KCSK500339
13	A1950	WASHER (8 x 16 x 1mm)	KWSR53500
14	A3955	FRONT PLATE	AG5E250477
14A	A4026	FRONT PLATE C/W DOORS	AG9M998740
15	NCA	SLIDING PLATE - DATA PLAQUE	AE2V240148
16	A3058	SLIDING PLATE MOUNTING BRACKET - UP TO M04-090	AE2M240147
16A	A3057	SLIDING PLATE C/W BRACKET - FROM M04-090	RG9V301145
17	A3956	DOOR CATCH	AG4M250478
17A	A4706	DOOR CATCH GASKET	JGSG211270
17B	A4707	M5 LOCKING NUT	KNUT500485



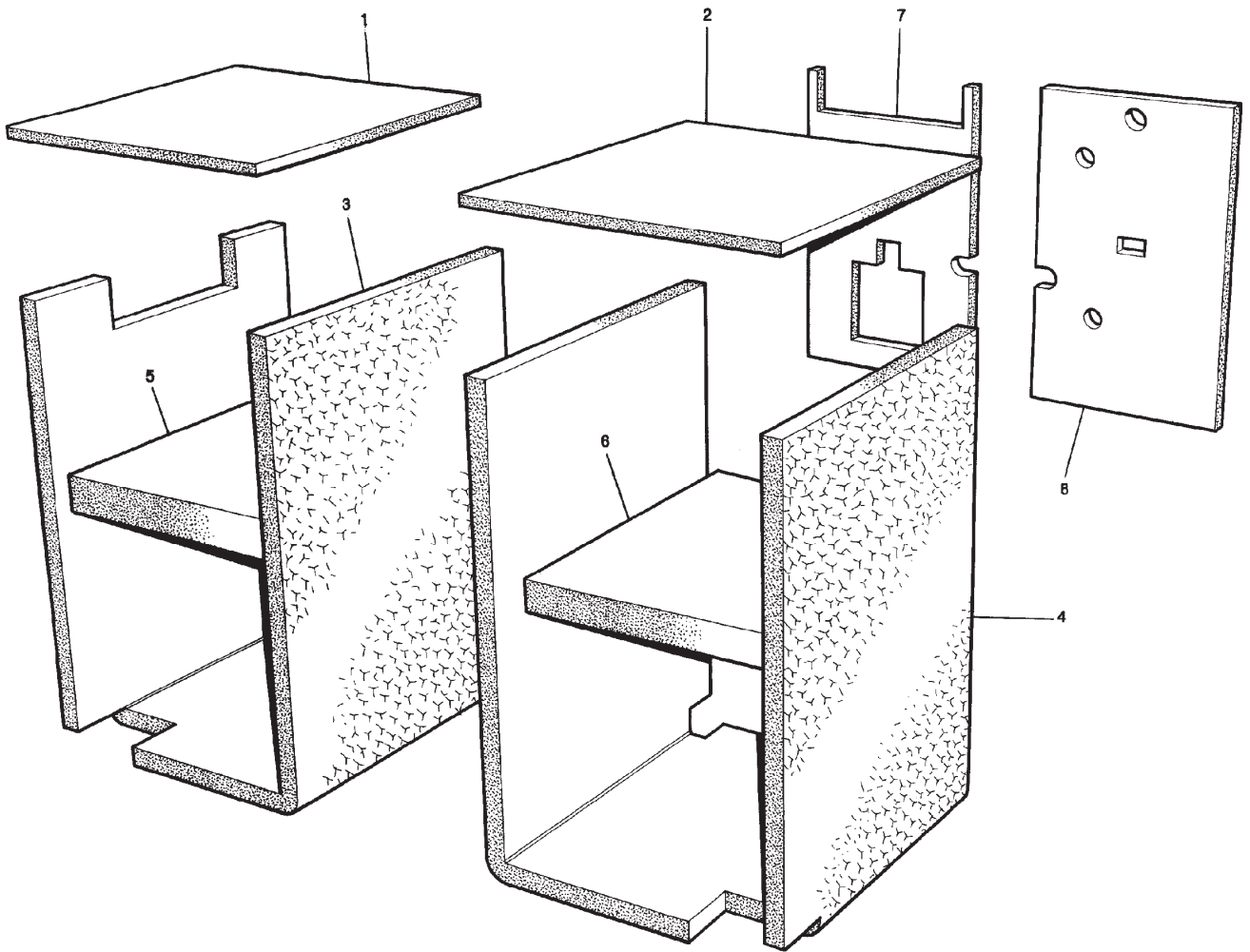
AGA SIX-FOUR SERIES - DC6 (CERAMIC HOB)
ACCESSORIES/FURNITURE

AGA SIX-FOUR SERIES - DC^ (CERAMIC HOB)

ACCESSORIES/FURNITURE

JANUARY 2011

ITEM No.	CAT No.	DESCRIPTION	PRODUCT CODE
1	A4028	GRILL PAN ASSY	AG1M250529
1	M0081	GRILL - TRIVET	AE4M260250
2	M0082	GRILL PAN - BODY	AE4M260337
3	A4120	SCREW M5 x 10mm	KCSK500408
4	M0242	M5 SCREW CAP	KWSR500415
5	A4173	SUPPORT FRAME - GRILL PAN	AG4M250480
6	M0084	HANDLE - GRILL PAN	AE4M260114
7	M0117	M5 x 12mm CSK SLTD HD	KCSK500483
8	A3957	GRILL SHELF	AG4M250516
9	A2973	GRID SHELF OVEN	AE4M240065
10	A3958	MEAT/ROASTING TIN	AG4M250432
11	A3959	BAKING TRAY	AG4M250579

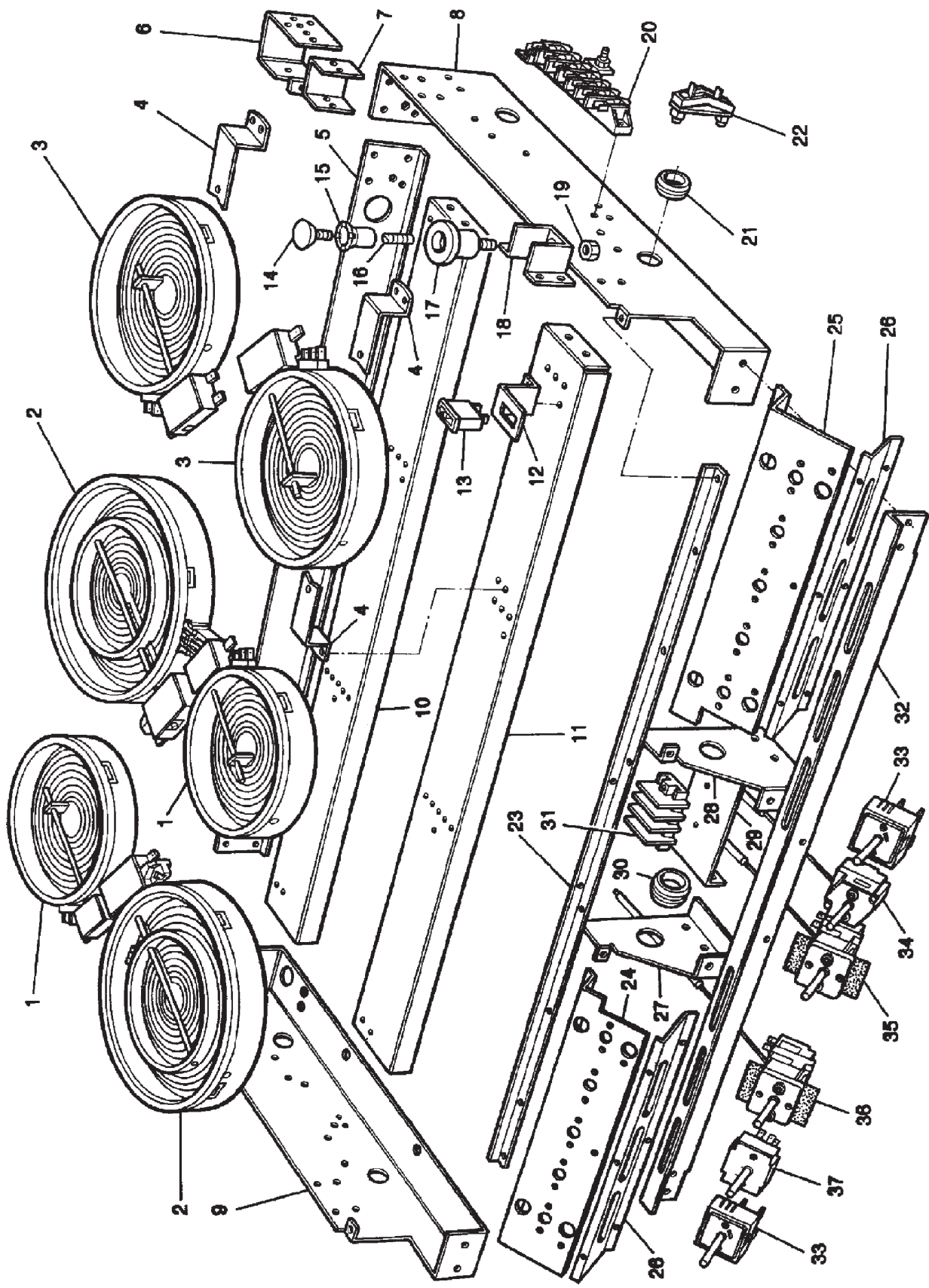


AGA SIX-FOUR SERIES - DC6 (CERAMIC HOB)
INSULATION

**AGA SIX-FOUR SERIES - DC6 (CERAMIC HOB)
INSULATION**

JANUARY 2011

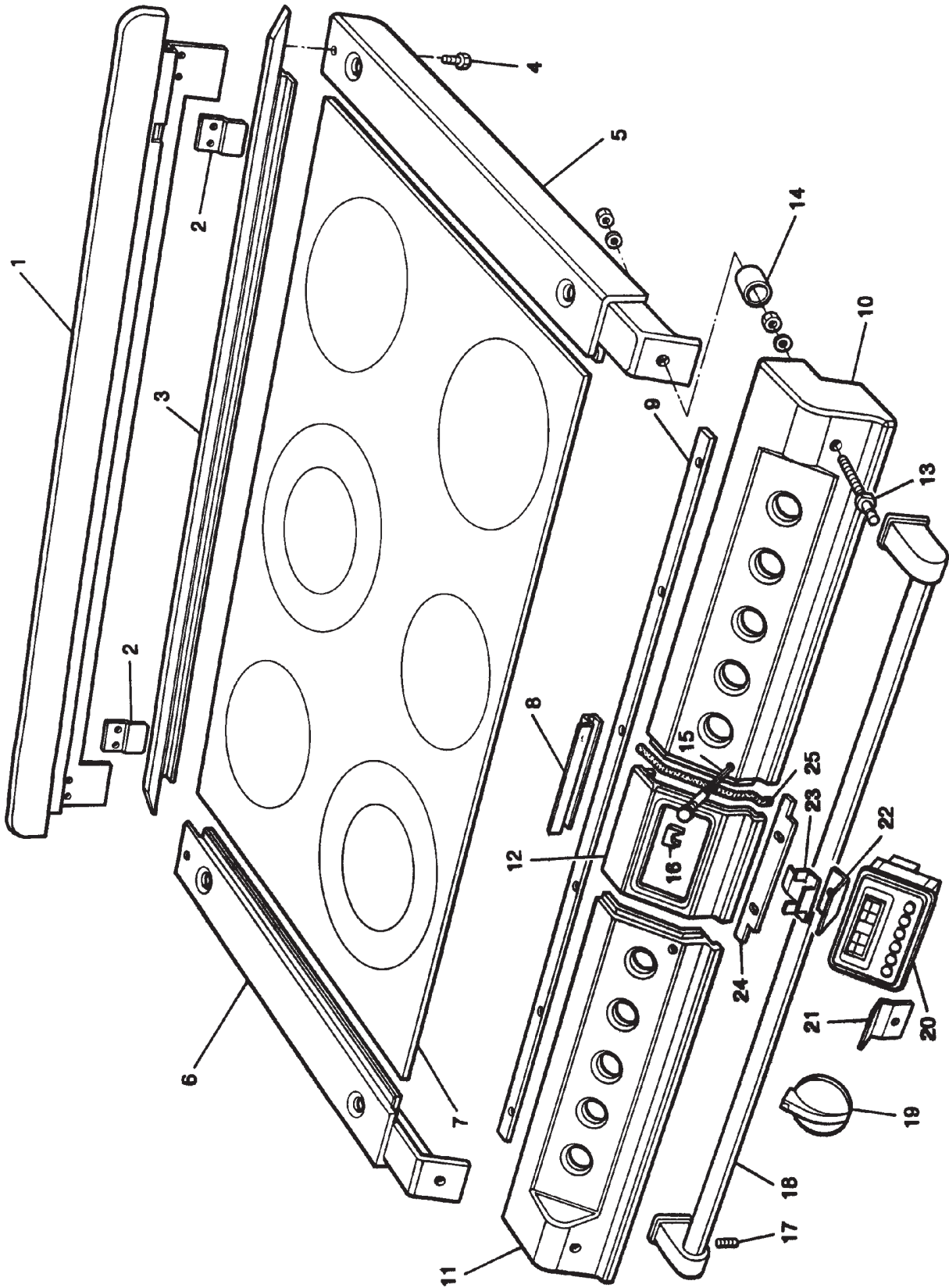
ITEM No.	CAT No.	DESCRIPTION	PRODUCT CODE
1	A4107	OVEN INSULATION - LH TOP	JPAD250611
2	A4108	OVEN INSULATION - RH TOP	JPAD250496
3	NCA	OVEN INSULATION - LH WRAP	JPAD250494
4	A4527	OVEN INSULATION - RH WRAP	JPAD250495
5	A5264	OVEN INSULATION - INSERT	JPAD250512
6	A5564	OVEN INSULATION - INSERT (RH)	JPAD250596
7	NCA	OVEN INSULATION - BACK (LH)	JPAD250498
8	NCA	OVEN INSULATION - BACK (RH)	JPAD250499



AGA SIX-FOUR SERIES - DC6 (CERAMIC HOB)
 HOB CHASSIS ASSEMBLY

**AGA SIX-FOUR SERIES - DC6 (CERAMIC HOB)
HOB CHASSIS ASSEMBLY FEBRUARY 2011**

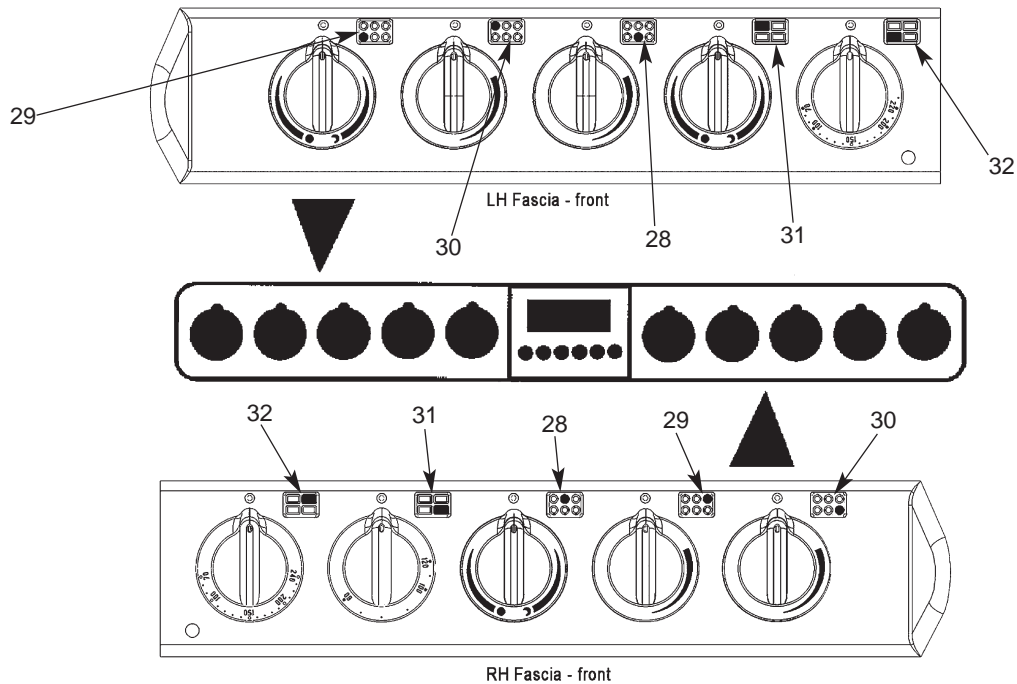
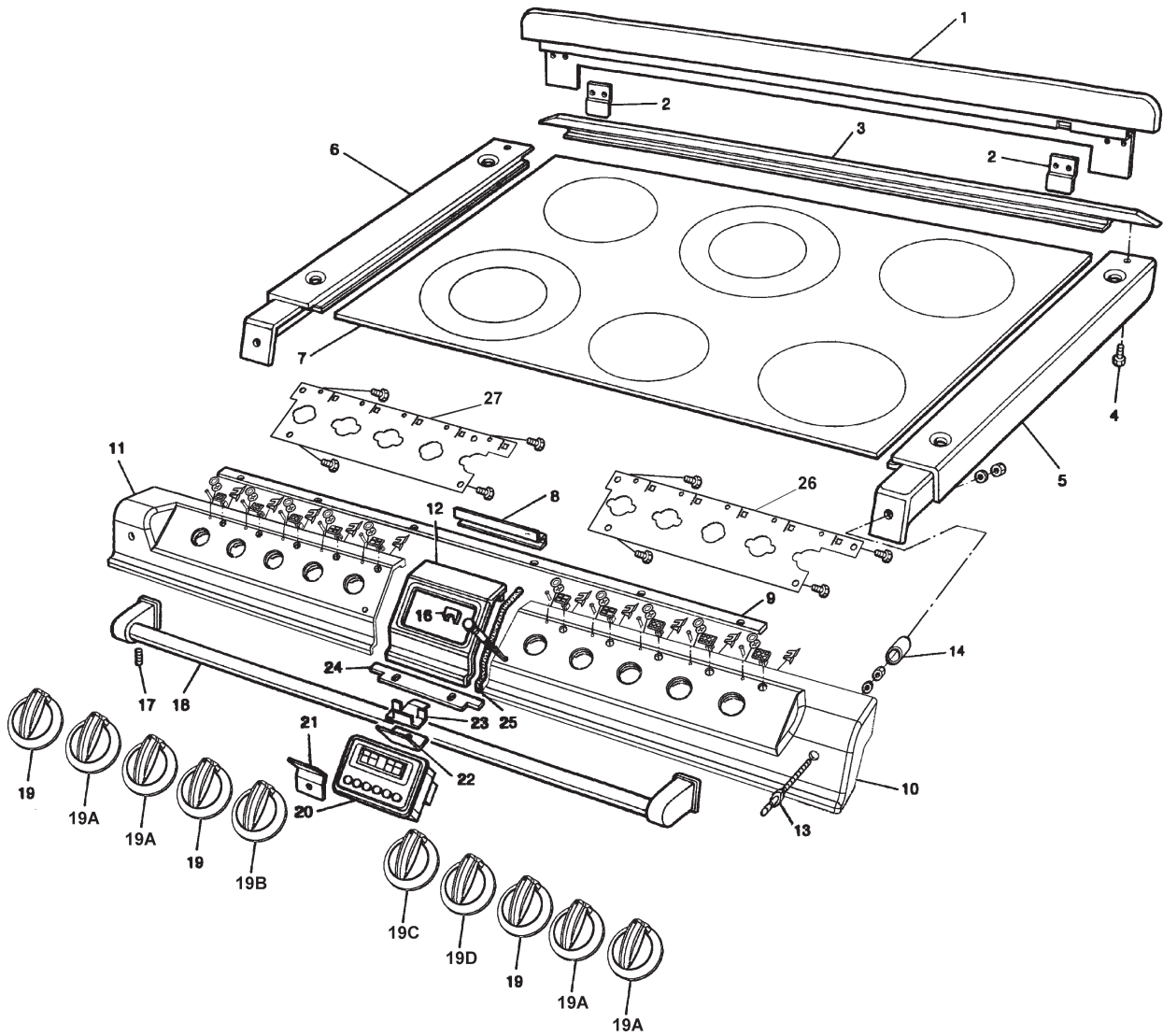
ITEM No.	CAT No.	DESCRIPTION	PRODUCT CODE
	A4457	HOB CHASSIS ASSEMBLY (INCLS ITEMS 1 TO 37)	AE4M240318
1	A4570	1.2 kW HEATER	AE4M998978
2	A4572	.75/2.2 DUAL kW HEATER	AE4M240464
3	A4571	1.5 kW HEATER	AE4M998979
4		ELEMENT SUPPORT BRACKET	
5		TOP FRAME REAR ASSY	
6		SPLASHBACK OUTER BRACKET	
7		SPLASHBACK INNER BRACKET	
8		TOP FRAME RH ASSY	
9		TOP FRAME LH ASSY	
10		REAR ELEMENT SUPPORT	
11		FRONT ELEMENT SUPPORT	
12		ELEMENT NEON BRACKET	
13		ELEMENT NEON	
14	A2119	CORNER STAY BUTTON	AG4M210228
15	A2123	CORNER STAY NUT	AG4M210244
16	A4454	JACKING STUD	AG4M250429
17	A4528	SPILLAGE WELL ADJUSTER	AG4M250427
18		FIXING BRACKET OUTER - SPILLAGE WELL	
19		NUT 8mm	
20		TERMINAL BLOCK	
21		GROMMET	
22		CABLE CLAMP	
23		BURNER FRAME FRONT ANGLE	
24		LH CONTROL PANEL - MOUNTING	
25		RH CONTROL PANEL - MOUNTING	
26		CONTROL FIXING BRACKET	
27		FRONT ANGLE SUPPORT - LH	
28		FRONT ANGLE SUPPORT - RH	
29		NEON CONNECTION BLOCK BRACKET	
30		GROMMET	
31		TERMINAL BLOCK	
32		FACIA SUPPORT BRACKET	
33	A4591	REGULATOR - SINGLE CIRCUIT	AE4M998976
33A	A4569	REGULATOR - DUAL CIRCUIT	AE4M998977
34	NCA	T/STAT - WARMING OVEN (UP TO M05-180)	AG4T250585
34A	A4910	T/STAT - WARMING OVEN (FROM M05-180)	AG4T251102
35	NCA	T/STAT - UPPER OVEN (UP TO M05-180)	AG4T250584
35A	A4911	T/STAT - UPPER OVEN (FROM M05-180)	AG4T251103
36	NCA	T/STAT - FANNED OVEN (UP TO M05-180)	AG4T250582
36A	A4507	T/STAT - FAN OVEN (FROM M05-180)	AG4T251101
37	NCA	T/STAT - GRILL	NCA



AGA SIX-FOUR SERIES - DC6 (CERAMIC HOB) - UP TO M09-050
 SPLASHBACK, CERAMIC HOTPLATE, FACIAS & HOB FRAME

AGA SIX-FOUR SERIES (CERAMIC HOB) - UP TO M09-050 JANUARY 2011
SPLASHBACK, CERAMIC HOTPLATE, FACIA & HOB FRAME

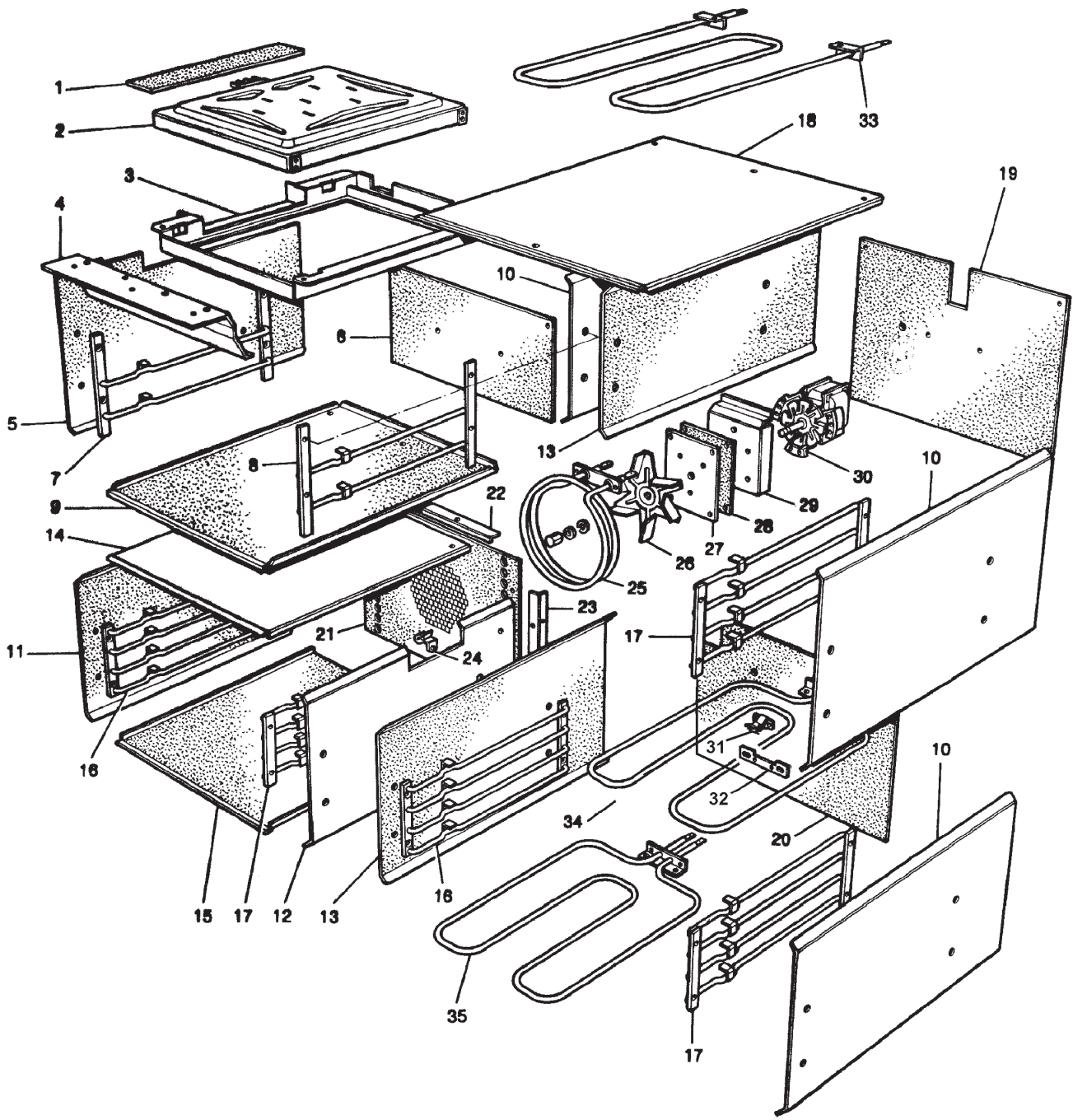
ITEM No.	CAT No.	DESCRIPTION	PRODUCT CODE
1	A3978	SPLASHBACK ASSY	AG4M250438
2	NCA	LOCATION TONGUE - SPLASHBACK	AG2M250525
3	A4875	REAR BAR - EXTRUSION	AE4M240289
4	R5009	SCREW M5 x 16 HEX SET S/S	KHEX50915
5	A4874	RH SIDE HOB	AE5E240293
6	A4873	LH SIDE HOB	AE5E240290
7	A4446	CERAMIC GLASS	AE4M240296
8	A4937	SEAL BRACKET	AE2V240341
9	A4938	FACIA BAR	AE4V240323
10	A4509	RIGHT SIDE FACIA	AE5V240298
11	A4508	LEFT SIDE FACIA	AE5V240297
12	A4368	CENTRE FACIA	AE5E240304
13	A4554	HANDRAIL BRACKET FASTENER	AG4M250533
14	NCA	HANDRAIL TUBE SPACER	NCA
15	M0032	NEON AND CLIP	AE4M260211
16		INCLUDED WITH ITEM 15	
17	NCA	GRUB SCREW	NCA
18	A3940	HANDRAIL ASSY (INCLS ITEMS 13 & 17)	AG4M250376
19	A3994	KNOBS	AG4M250365
20	M0012	TIMER (DIEHL 13849-011)	AE1M260148
21	A4831	BRACKET BOTTOM	AE2M240340
22	A4830	TIMER BRACKET TOP	AE2M240339
23	A4829	TIMER CASTING BRACKET	AE2M240338
24	A4828	TIMER CASTING BAR	AE2V240342
25	NCA	RUBBER SEAL (NO LONGER USED)	JGSG240351



**AGA SIX-FOUR SERIES - DC6 (CERAMIC HOB) FROM M09-050
 SPLASHBACK, CERAMIC HOTPLATE, FACIAS AND HOB
 FRAME**

**AGA SIX-FOUR SERIES (CERAMIC HOB) - FROM M09-050 JANUARY 2011
SPLASHBACK, CERAMIC HOTPLATE, FACIA & HOB FRAME**

ITEM No.	CAT No.	DESCRIPTION	PRODUCT CODE
1	A3978	SPLASHBACK ASSY	AG4M250438
2	NCA	LOCATION TONGUE - SPLASHBACK	AG2M250525
3	A4875	REAR BAR - EXTRUSION	AE4M240289
4	R5009	SCREW M5 x 16 HEX	KHEX50915
5	A4874	RH SIDE HOB	AE5E240293
6	A4873	LH SIDE HOB	AE5E240290
7	A4446	CERAMIC GLASS	AE4M240296
8	A4937	SEAL BRACKET	AE2V240341
9	A4938	FACIA BAR	AE2V240323
10	NCA	FACIA - RH	AE5E240452
11	NCA	FACIA - LH	AE5E240451
12	A4368	CENTRE FACIA	AE5E240304
13	A4554	HANDRAIL BRACKET FASTENER	AG4M240429
14	NCA	HANDRAIL TUBE SPACER	NCA
15	M0032	NEON AND CLIP	AE4M260211
16		INCLUDED WITH ITEM 15	
17	NCA	GRUB SCREW	NCA
18	A3940	HANDRAIL ASSY (INCLS ITEMS 13 & 17)	AG4M250376
19	A4515	GRILL KNOB GRAPHICS	AG4M250890
19A	A5580	CERAMIC HOB BURNER KNOB	AE4M240453
19B	A4959	FAN OVEN CONTROL KNOB	AG4M251146
19C	A4908	TOP OVEN CONTROL KNOB	AG4M251144
19D	A4978	SIMMERING OVEN CONTROL KNOB	AG4M251136
20	M0012	TIMER (DIEHL 13849-011)	AE1M260148
21	A4831	BRACKET BOTTOM	AE2M240340
22	A4830	TIMER BRACKET TOP	AE2M240339
23	A4829	TIMER CASTING BRACKET	AE2M240338
24	A4828	TIMER CASTING BAR	AE2V240342
25	NCA	RUBBER SEAL - NO LONGER USED	JGSG240351
26	NCA	RH REAR FACIA PANEL	AE2M240450
27	NCA	LH REAR FACIA PANEL	AE2M240444
28	NCA	BADGE - FACIA	AE4M240445
29	NCA	BADGE - FACIA	AE4M240447
30	NCA	BADGE - FACIA	AE4M240446
31	A5631	BADGE - FACIA	AE4M240449
32	A5627	BADGE - FACIA	AE4M240448

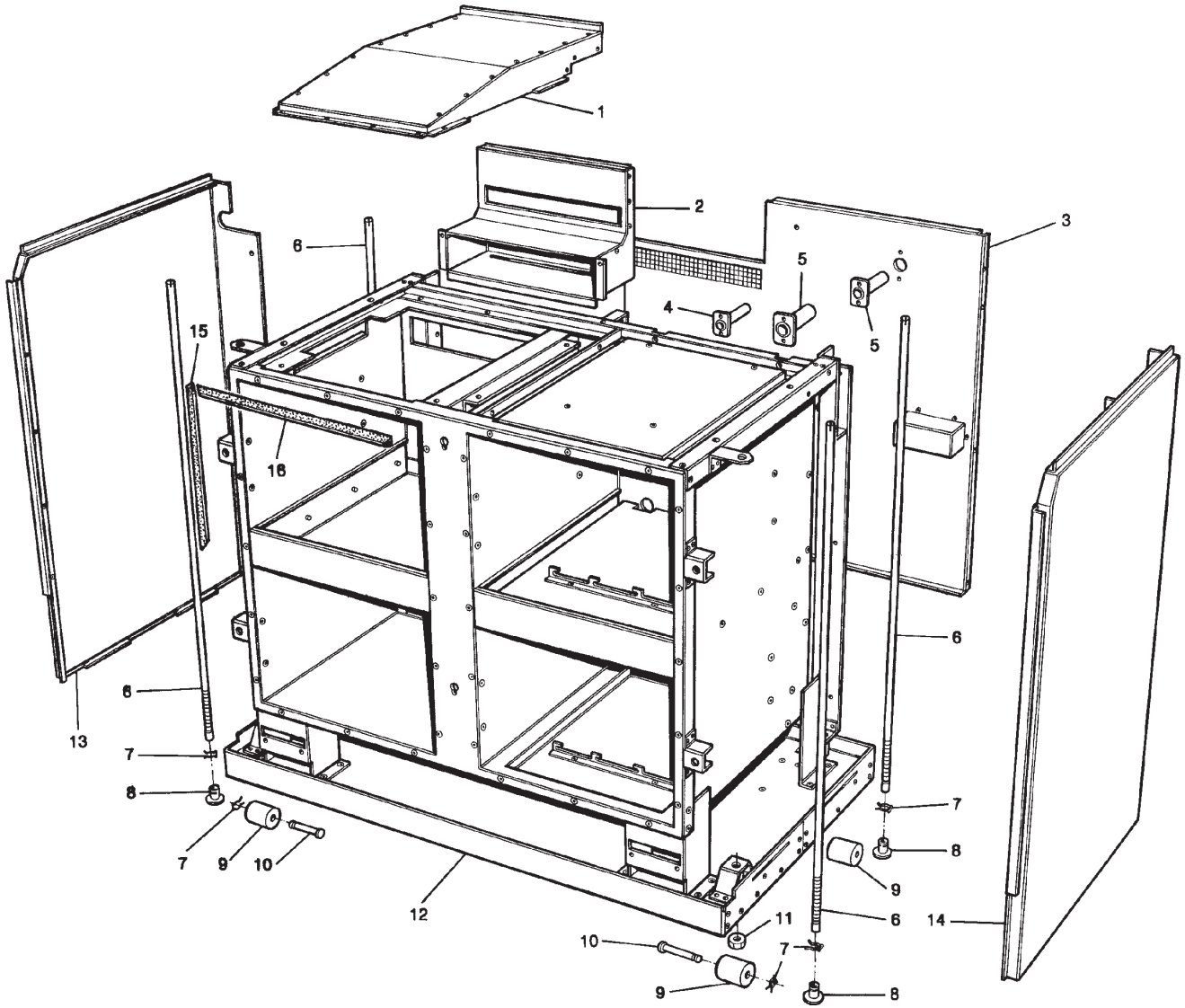


AGA SIX-FOUR SERIES - DC6 (CERAMIC HOB)
 TOP, BOTTOM, FAN AND GRILL ASSEMBLIES

**AGA SIX-FOUR SERIES - DC6 (CERAMIC HOB)
TOP, BOTTOM, FAN AND GRILL ASSEMBLIES**

JANUARY 2011

ITEM No.	CAT No.	DESCRIPTION	PRODUCT CODE
1	NCA	GRILL SIDE DUCT INSERT	JPAD250493
2	M0033	GRILL ASSEMBLY -ELECTRIC (UP TO M09-046)	AE4M260103
2A	M0488	GRILL ASSY RETRO-FIT KIT (PRE M09-046)	AE9M997830
3	A5230	SUPPORT ASSEMBLY - GRILL ELEMENT	AG1M250340
4	NCA	GRILL HEAT DEFLECTOR	AG4M250385
5	A3995	GRILL LINER - LH	AG4M250451
6	A3996	GRILL BACK LINER	AG4M250449
7	A3997	GRILL SUPPORT RAIL - LH	AG4M250514
8	A3998	GRILL SUPPORT RAIL -RH	AG4M250515
9	A3999	BOTTOM OVEN LINER	AG4M250600
9A	A4176	TOP OVEN BOTTOM LINERS	AG4M250812
10	A4000	OVEN LINER - RH	AG4M250452
11	A4001	FAN OVEN LINER - LH	AG4M250453
12	A4002	FAN OVEN LINER - RH	AG4M250454
13	A4003	OVEN LINER - LH	AG4M250456
14	A4004	FAN OVEN TOP LINER	AG4M250455SCE
15	A4005	FAN OVEN BOTTOM LINER	AG4M250455BVE
16	A4006	OVEN RAILS - LH	AG4M250527
17	A4007	OVEN RAILS -RH	AG4M250528
18	A4008	OVEN TOP LINER	AG4M250308
19	A4009	TOP OVEN BACK LINER	AG4M250458
20	A4010	BOTTOM OVEN REAR LINER	AG4M250466
21	A4011	FAN OVEN BAFFLE PLATE	AE4M240178
22	A4012	FIXING BRACKET	AG2M250598
23	NCA	FIXING BRACKET	AG2M250599
24	A3087	PHIAL CLIP	AE4M240058
25	A4264	OVEN ELEMENT FAN	AG4M250397
26	NCA	IMPELLOR (UPTO M07-142)	AE4M240156
26A	A5332	IMPELLOR 120MM (FROM M07-142)	AG4M251303
27	A5038	PLATE - FAN	AE4M240017
28	A3093	GASKET	JGSG240142
29	A3094	FAN SHIELD	AE2M240119
30	A3095	FAN & IMPELLOR ASSY (INCLS 26) (UP TO M07-142)	AE4M240093
30A	NCA	FAN OVEN (FROM M07-142)	AE4M260908
30B	M0424	CIRCULATION FAN ASSAY (PRE M07-142)	AE9M997604
31	A4287	PHIAL CLIP	AE4M260292
32	M0336	PHIAL CLIP STRAP	AE2M260335
33	A4013	TOP OVEN TOP ELEMENT	AG4M250398
34	A4014	TOP OVEN BASE ELEMENT (UP TO M06-193)	AG4M250508
34A	A5050	TOP OVEN BASE ELEMENT (FROM M06-193)	AG4M251282
35	A4015	WARMING OVEN ELEMENT	AG4M250390



AGA SIX-FOUR SERIES - DC6 (CERAMIC HOB)
CHASSIS FRAME ASSEMBLY

AGA SIX-FOUR SERIES - DC6 (CERAMIC HOB)

CHASSIS FRAME ASSEMBLY

JANUARY 2011

ITEM No.	CAT No.	DESCRIPTION	PRODUCT CODE
1	NCA	GRILL TOP DUCT ASSY	AG1M250348
2	NCA	REAR GRILL HEAT DUCT ASSY	AG1M250358
3	A4448	BACK PANEL	AG2M250479
4	A3100	VENT PIPE	AE4M240090
5	A5570	VENT PIPE - LARGE	AG4M250534
6	A4497	ADJUSTING RODS	AG4M250485
7	A4430	CIRCLIP ROLLER ASSY	KCLP250580
8	A4429	FEET	AG4M250484
9	A5159	ROLLER - WHEEL ASSY	AG4M250471
10	A5160	ROLLER WHEEL SPINDLE	AG4M250472
11	A5534	NUT M16	KNUT500417
12	A4620	PLINTH ASSY	AG1M250329
13	A4016	LH SIDE PLATE ASSY	AG2V250696
14	A4017	RH SIDE PLATE ASSY	AG2V250697
15	NCA	FRONT PLATE SEAL - VERTICAL	AG4M250562
16	NCA	FRONT PLATE SEAL - HORIZONTAL	AG4M250561